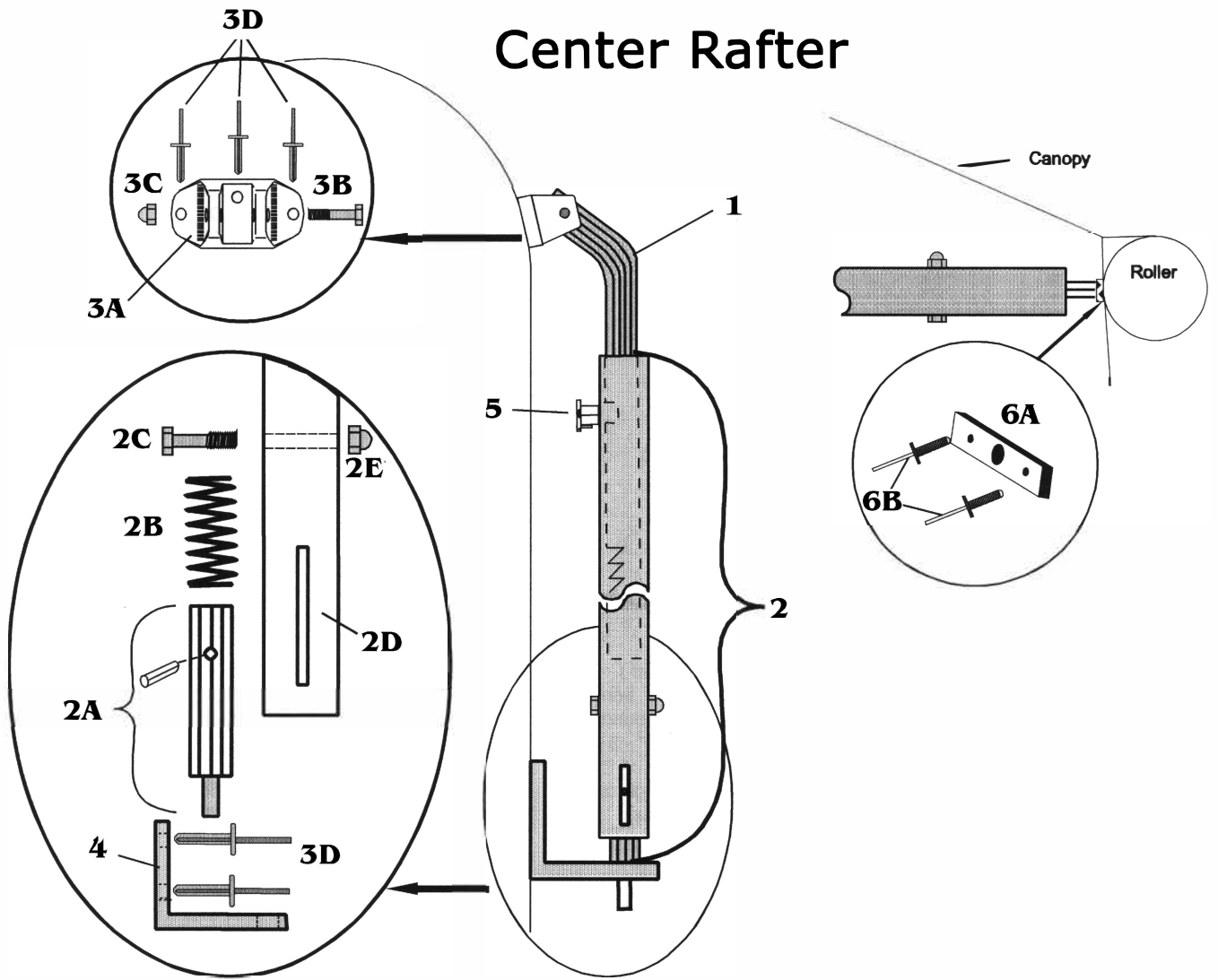
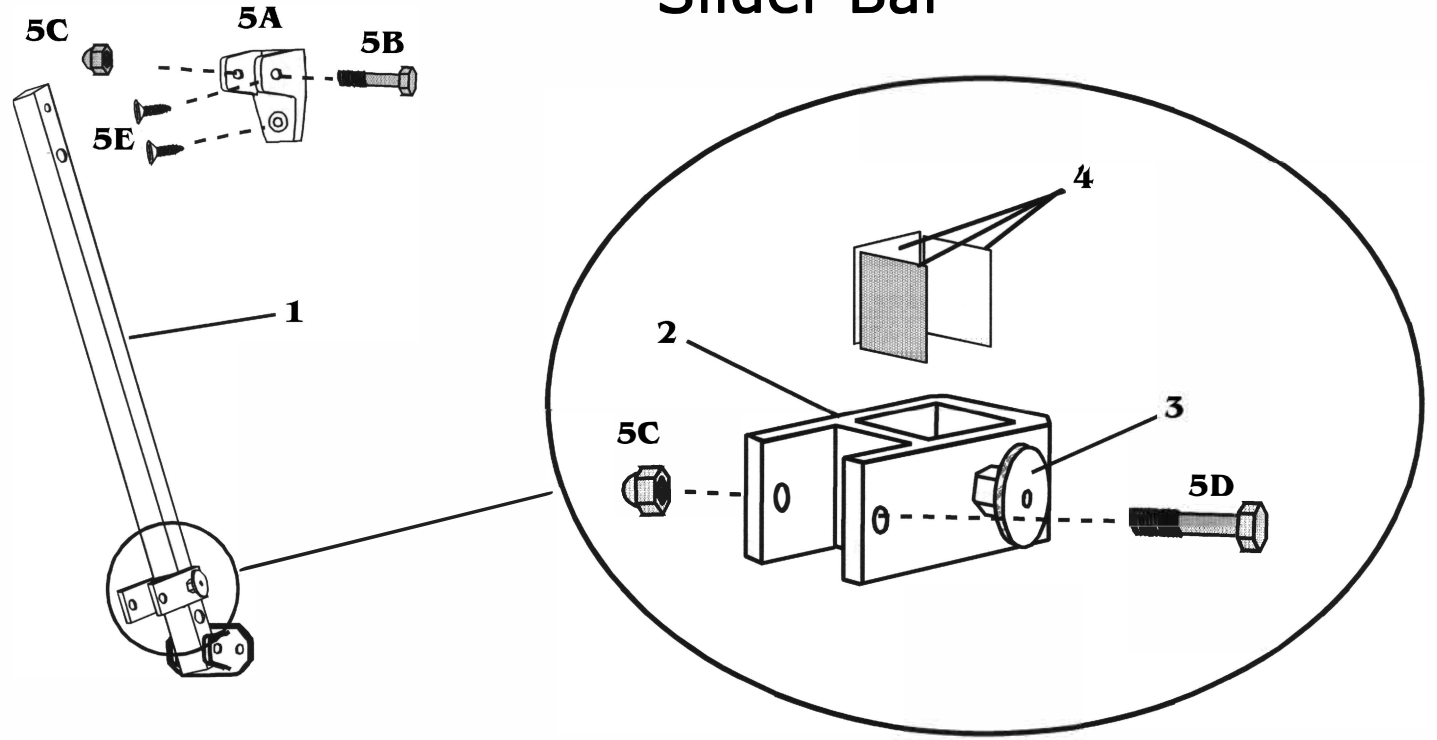


Center Rafter



Slider Bar



Ref #	PART #	CENTER RAFTER
##### 1969-1993 #####		
CENTER RAFTER BAR		
1	2501XX	ALL MODELS (add code: eg -03 ASTM; -19 flat)
2	250210	COMPLETE TUBE ASSEMBLY, includes:
2A	250213	BRIGHT, 4-3/4" STUB BAR & PIN ASSEMBLY
2B	322110	COMPRESSION SPRING, 4-1/4"
2C	310040	BOLT, 1/4 - 20 X 1-1/4", HEX HEAD
2D	250211	TUBE ONLY
2E	311020	CAP NUT, 1/4 - 20 (aluminum)
5	290001	RATCHET STUD ASSEMBLY
##### 1994-PRESENT #####		
CENTER RAFTER BAR		
1	2504XX	BRIGHT CENTER RAFTER BAR
1	7504XX	SATIN CENTER RAFTER BAR
2	250220	BRIGHT COMPLETE TUBE ASSEMBLY, includes:
2	750220	SATIN COMPLETE TUBE ASSEMBLY, includes:
2A	250223	BRIGHT 5-5/8" STUB BAR & PIN ASSEMBLY (or)
2A	750223	SATIN 5-5/8" STUB BAR & PIN ASSEMBLY
2B	322100	COMPRESSION SPRING, 6-3/4"
2C	310040	BOLT, 1/4 - 20 X 1-1/4", HEX HEAD
2D	250221	BRIGHT TUBE ONLY (or)
2D	750221	SATIN TUBE ONLY
3E	311020	CAP NUT, 1/4 - 20 (aluminum)
5	290001	RATCHET STUD ASSEMBLY
ALL YEARS		
3A	210060	BASE HINGE, RECTANGULAR (floor mount)
3B	310010	BOLT, 1/4 - 20 X 1-5/8", HEX HEAD
3C	311010	NUT, 1/4 - 20, ACORN CAP (stainless)
3D	316010	RIVET, 3/16 X 3/4" OLYMPIC
SUPPORT BRACKET		
4	250950	FOR ALL OTHERS (2" x 2-1/2")
4	250952	FOR '94 TO PRESENT AIRSTREAM (1-5/8" x 2-1/2")
3D	316010	RIVET, 3/16 X 3/4" OLYMPIC
6A	299211	ROLLER PLATE
6B	316180	RIVET, 6/32 X 4/16, BLIND
SLIDE BAR ASSEMBLY (Bright Finish Only)		
1	251010	SLIDE BAR
2	251500	SLIDE BAR HINGE (with snap stud)
3	290002	SNAP STUD ASSEMBLY
4	321413	TAPE, UHMW (per inch)
	251910	SLIDE BAR MOUNTING KIT, Includes:
5A	210065	(2) HINGE CASTING, VERTICAL
5B	310010	(2) BOLT, 1/4 - 20 X 1-5/8", HEX HEAD
5C	311010	(4) NUT, 1/4 - 20, ACORN CAP (stainless)
5D	310020	(2) BOLT, 1/4 - 20 X 1-1/2", HEX HEAD
5E	317052	(4) SCREW, 14 X 1", OVAL HEAD SHEET METAL (stainless)

(XXX) - YEAR, MAKE, MODEL OF COACH REQUIRED

