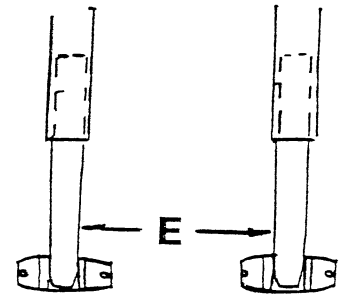
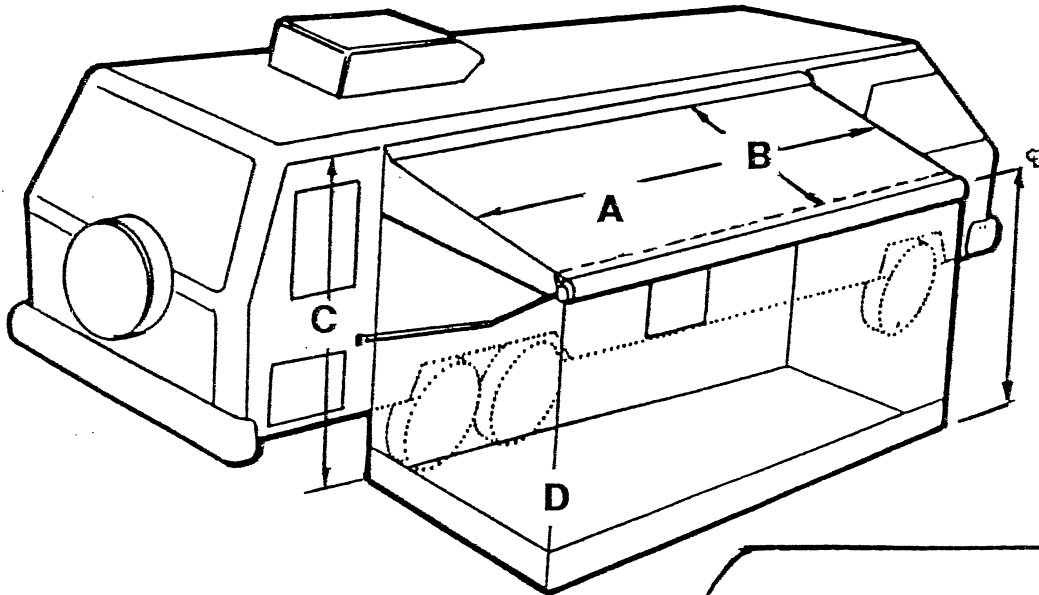


Please measure carefully to insure a correct fit for your Tropic Room. Make sure the vehicle is on a level surface and adjusted as it would be under normal use conditions. Extend the awning and adjust to position for Tropic Room use. After taking the following measurements, please mark them in the corresponding blanks.

PROVIDE THE FOLLOWING MEASUREMENTS:

- A. The width of front panel by measuring the width of the fabric (at the roller tube.) \_\_\_\_\_
- B. The depth of the side panel by measuring the awning fabric from the edge of the metal case to the seam that creates the pocket for the roller. \_\_\_\_\_
- C. The height of the side panel measured from the bottom of the awning rail to the ground along the side of the vehicle. \_\_\_\_\_
- D. The height of the front panel by measuring from the shaft of the roller to level ground. The awning should be fully extended as it will be in normal use. \_\_\_\_\_
- E. The distance between the inside of the main support arms for the width of the skirt. \_\_\_\_\_
- F. The height of the skirt from the bottom of the coach or the beginning of the bottom curve to the ground. This measurement must be lower than the bottom of the door frame. **On curved sided coaches this measurement must be high enough to allow snaps to be attached to face of coach.** \_\_\_\_\_
- G. The width of the wheel well opening at its widest point. Include any flair. \_\_\_\_\_
- H. On motorhomes, if awning extends beyond front wheel, determine the width of the wheel well opening at its widest point, including any flair. \_\_\_\_\_



COACH INFORMATION:

YEAR: \_\_\_\_\_  
BRAND: \_\_\_\_\_  
MODEL: \_\_\_\_\_

