

## Contents

1- Front side panel  
1- Rear side panel  
1- Center panel  
1- Base skirt

1- Upper wheel panel  
4- Aqua anchor bags  
2- Tension pole assemblies  
1- Misc. hardware: rivets, snaps, setting tool, locating plates.

Open awning and raise roller to convenient working level (on tall coaches a small ladder may be needed).

1. Starting at either end of Awning Roller, position a Locating Plate on the roller as shown in **Fig. 1**. Using a soft pencil, make a mark on the fabric through either outer hole of the Plate. Remove the Plate and drill a  $\frac{3}{16}$ " through both layers of fabric and the roller tube **Fig 1a**. Attach the Plate to the roller with a  $\frac{3}{16}$ " blind rivet. Holding the Plate firmly parallel to the roller, drill through the other outer hole and secure with a rivet. Use a  $\frac{5}{16}$ " bit, drill through the center pilot hole of the Plate into the roller. Attach the remaining Plate at the other end of the roller in the same way.

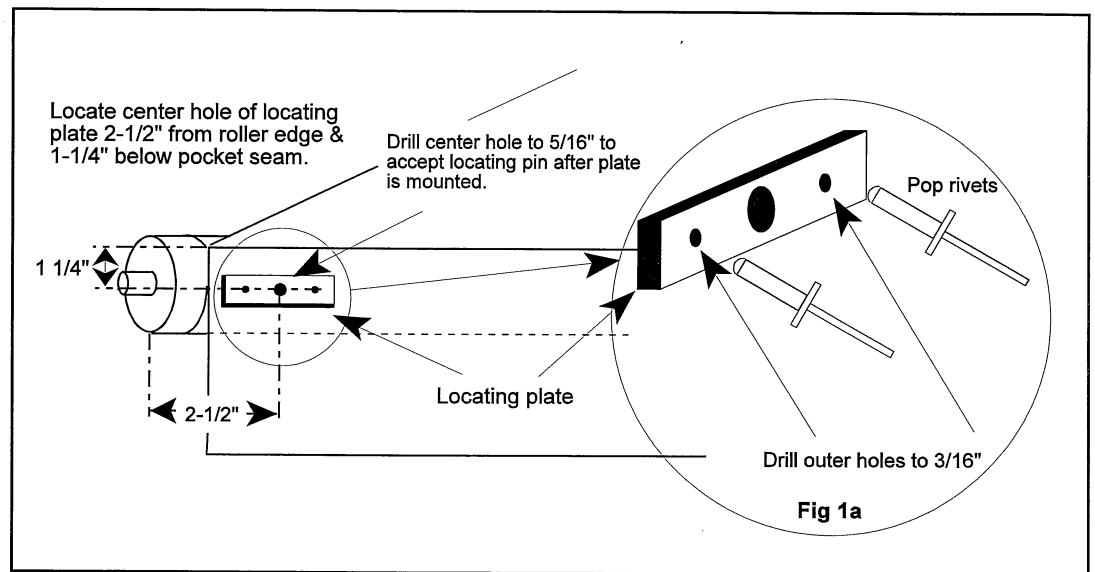


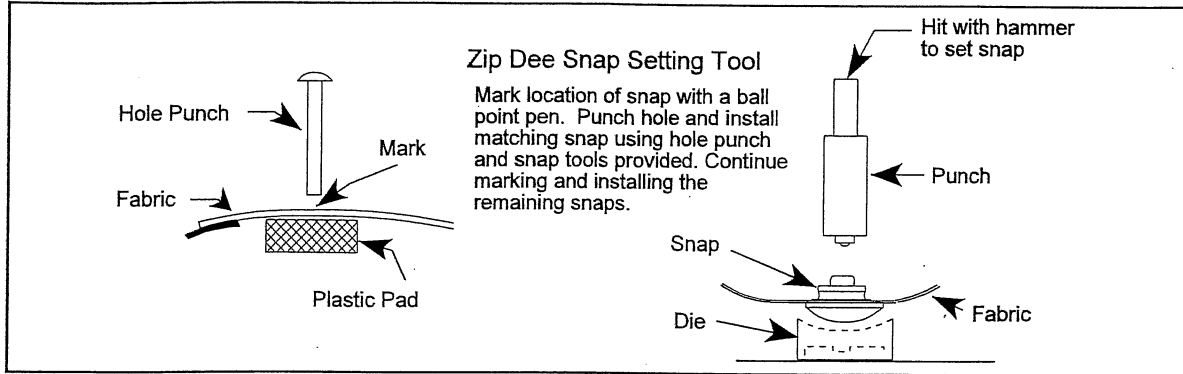
Figure 1

2. **Receiving socket.** On Flat sided vehicles (e.g. Foretravel), attach a pole receiving socket on the vehicle under the awning rail, as shown in **Fig. 2a**. Position the socket  $\frac{1}{2}$ " below the bottom of the awning rail and 1" inward from the edge of the metal cover. Attach with  $\frac{1}{8}$ " rivet. On Curved Sided vehicles (e.g. Airstream) the padded tip of the Tension Pole tucks under the awning cover and directly against the awning rail.

3. **Tension pole.** Assemble a 3 section Tension Pole and insert it into the top pocket of a Side Panel, starting at the zipper end. (**Fig. 2**) Fold the grommet tab at the top of the panel flap inward and extend the tip of the pole through the grommet. (**Fig. 2b**). Lift the Side Panel with the Pole and place the padded tip against the underside of the awning rail (Curved side coaches) or in the receiving socket (Flat side coaches) as described in step 2 and shown in **Fig. 2**. Compress the spring in the pole assembly by pushing it against the vehicle and insert the locating pin into the center hole of the Locating Plate. (**Fig. 2c**). Repeat for the other end.

If the Skirt covers any moveable steps, the Skirt may be cut to allow room for the steps to operate. To avoid tearing the fabric, disable any power steps while the Tropic Room is in use. Cut vertical slits in the Skirt for step supports where needed (**Fig. 3b**). Pull the flap of material through the back of the steps and attach to the vehicle, after additional buttons (provided in kit) are installed in the fabric, using the Setting Tool also provided. (**Fig. 4**)

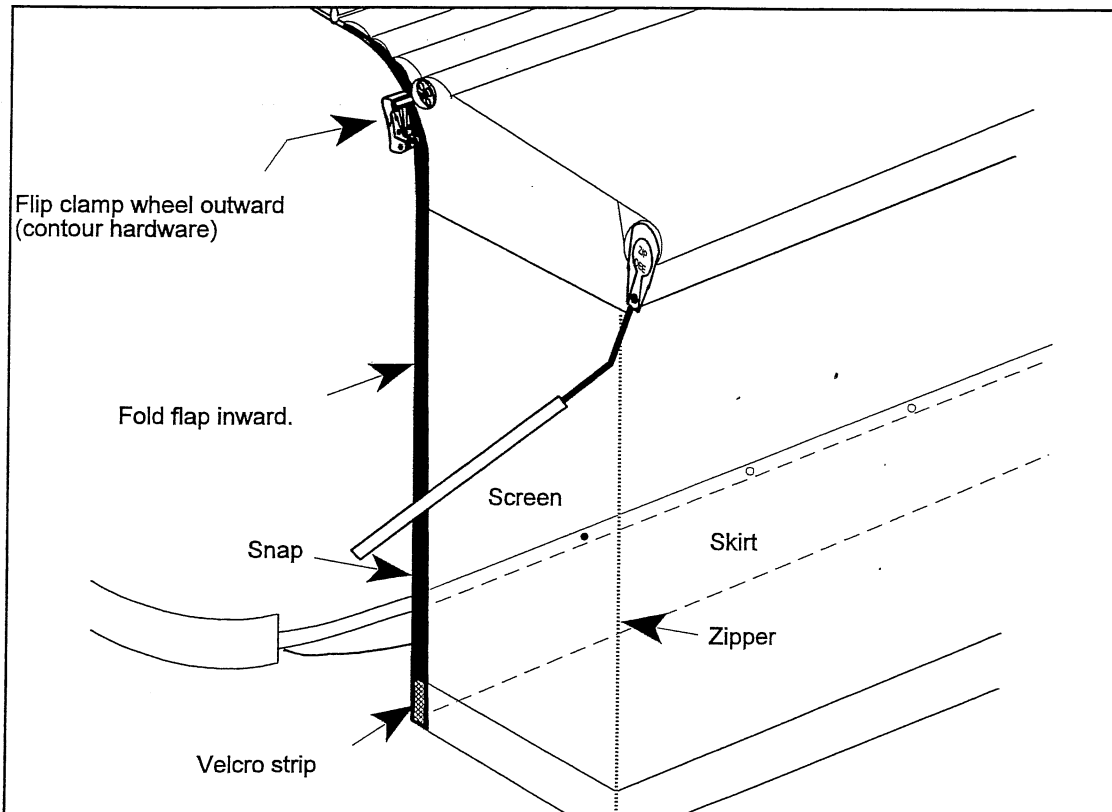
**Caution:** Do not retract the steps with the flap in place. Unsnap and remove it from behind the step first.



**Figure 4**

5. **Side Panel Attachment.** Open the awning to the point at which it was measured. On curved sided vehicles (Airstream, GMC) the strip of the side panel against the vehicle is padded to form a seal, with one snap to hold it in place. Flat sided vehicles (Foretravel, Bluebird) have a pocket with several snaps. (*Tests showed that the padded flap was ineffective on flat sided vehicles*) In either case, turn the flap inward so that the socket of the snap(s) faces the vehicle. (**Fig. 5**) Smooth the flap so that it is vertical.

Install male snaps into the vehicle to match the button(s) on the flap. Match the "Velcro" strip on the bottom edge of the side panel to the "Velcro" on the edge of the coach skirt to seal. Front and rear panels are attached in the same manner.



**Figure 5**

**Note:** Only curved side vehicles have "clamps" as shown. wheels should be flipped outward to allow room for side panels.

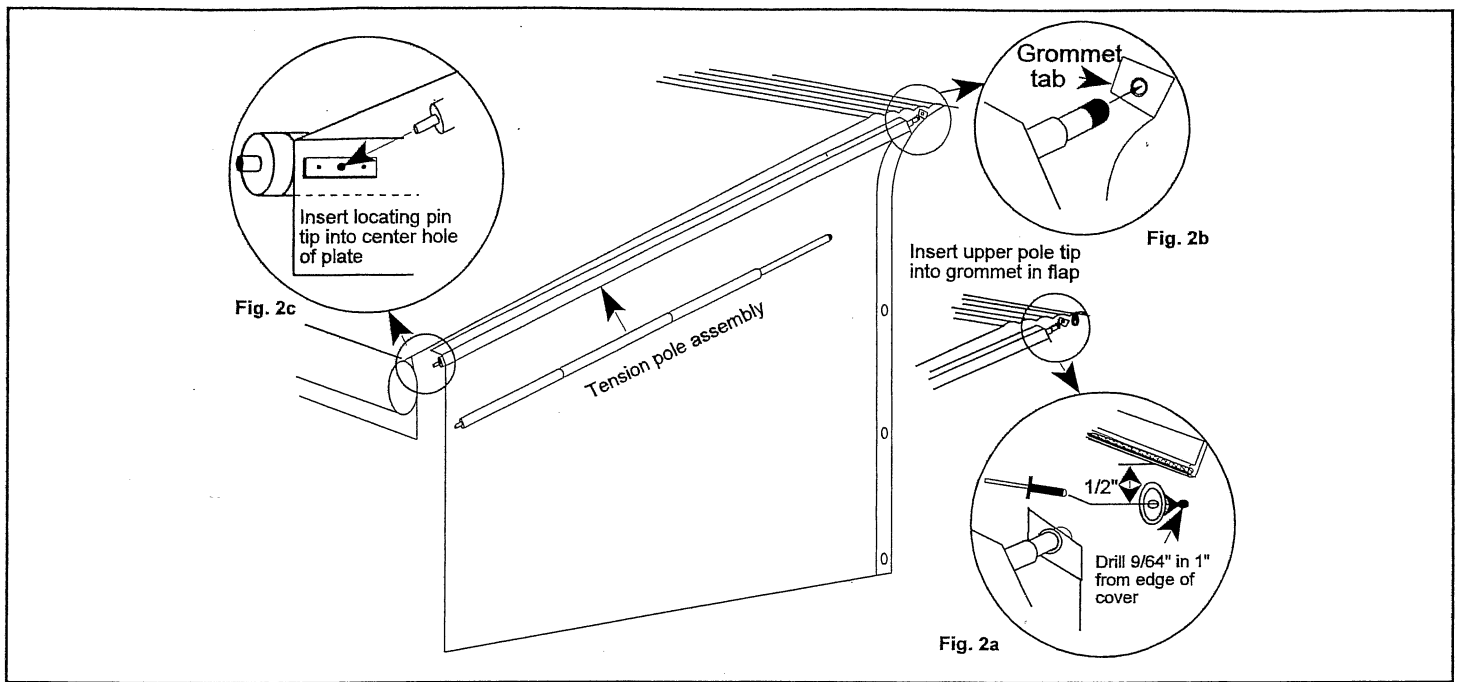


Figure 2

4. **Base skirt.** Attach the Base Skirt to the vehicle starting in line with the inside of the rear main arm, using the male snaps provided. (Fig. 3.) Position the Skirt as shown so that it attaches to the vehicle at the lowest horizontal level possible, below any doorway. This should also be the point from which the skirt was measured for ordering. The seam of the Aqua Anchor pocket should almost be at ground level and the pocket itself laying flat on the ground. Mark the position of the first snap on the vehicle, matching the end button on the skirt, drill a 9/64" hole and attach a Male Snap with a Blind Rivet as shown in Fig.3a. Work from rear to front, installing the snaps in position to match the buttons on the skirt. Snap the button onto each stud as it is installed. Keep the skirt taut between each snap as you progress. Install the upper wheel panel in the same manner after the skirt is installed. This panel tucks behind the skirt, but does not attach to it. If the Panel blocks any skirt snaps, simply do not use those snaps. There are more than enough installed for support.

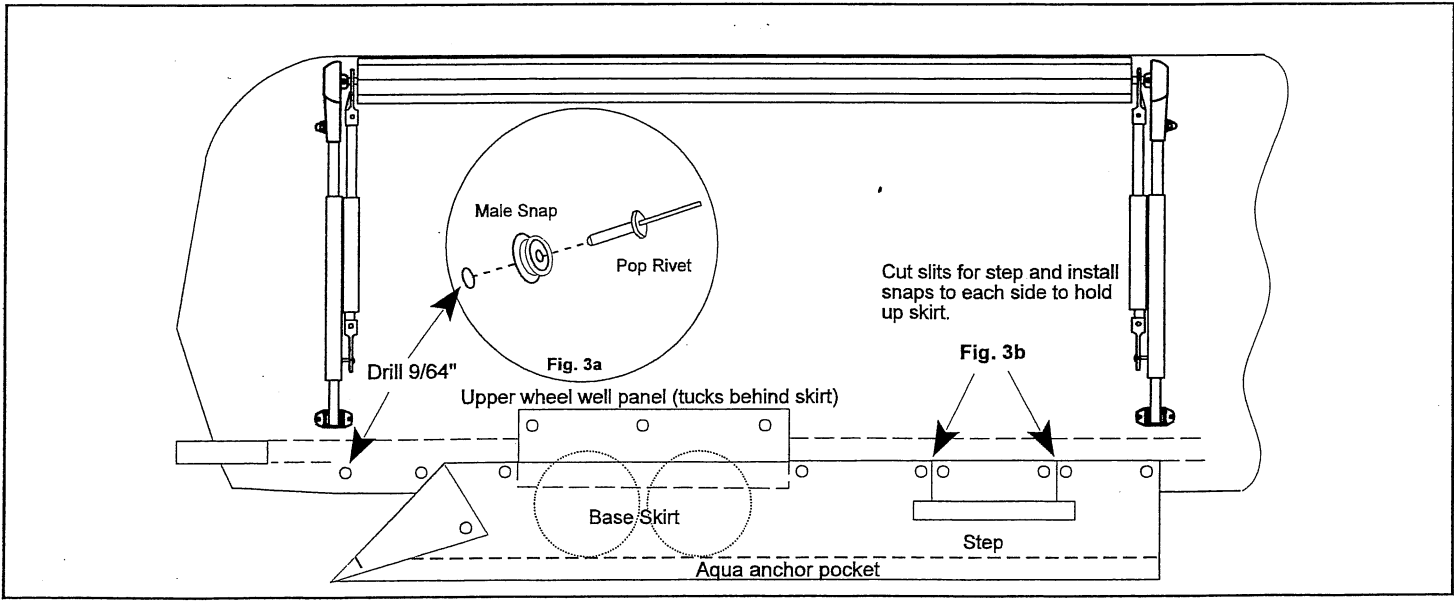


Figure 3

6. **Center panel.** The center panel of the Tropic Room is suspended from the front roller by means of "Lift-the-Dot" snaps similar to those used on the skirt. However, these fasteners have extra tight gripping power and can be released only by lifting from the bottom edge (where the word "Dot" appears) of the button. Likewise, when attaching the fasteners, the bottom edge of the button should be snapped on last. These fasteners, together with special rivets, are in a special marked pack in your installation kit.

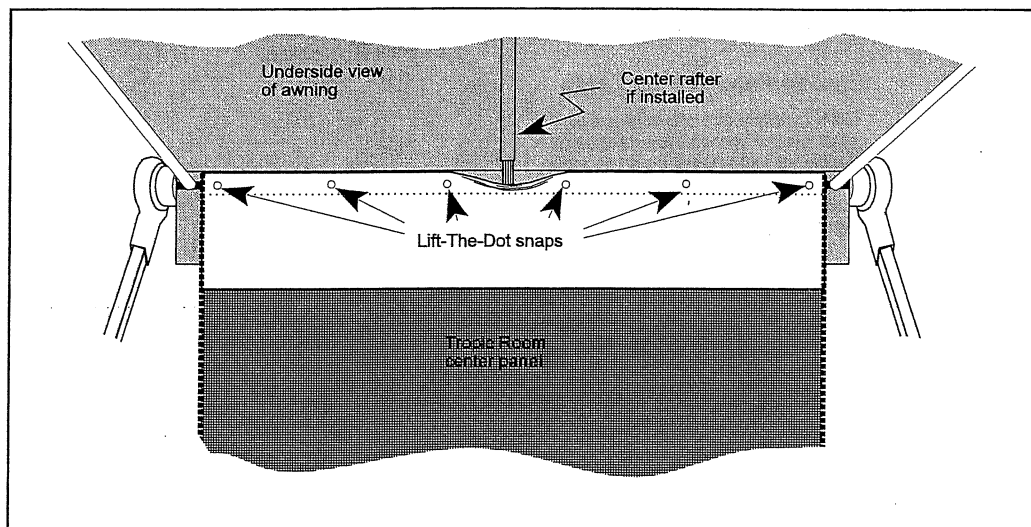


Figure 6

7. With the Tension Poles and center rafter (if any) in place as shown in Fig. 6, hold the center panel so that it is centered between the two poles. The outermost snaps of the front panel are to be installed just inside of and alongside of the Locating Plates installed in Step 1. Mark the location of a button at either end of the center panel, drill a 9/64" through the fabric and into the steel tube and install a

center panel stud onto the roller. Snap the center panel onto the stud. Then, pulling a the center panel reasonably taut, mark the location for the snap at the opposite end. Install the stud and attach the panel. Now, starting at either end, mark and attach studs to correspond with the remaining buttons along the top edge of the center panel.

8. Either end of the front panel serves as a "Doorway". Simply unzip the corner, unsnap the corner and fold the panel inward toward the middle and press the "Velcro" strip near the corner snap to the matching "Velcro" strip sewn into the center panel near the center (Fig. 7).

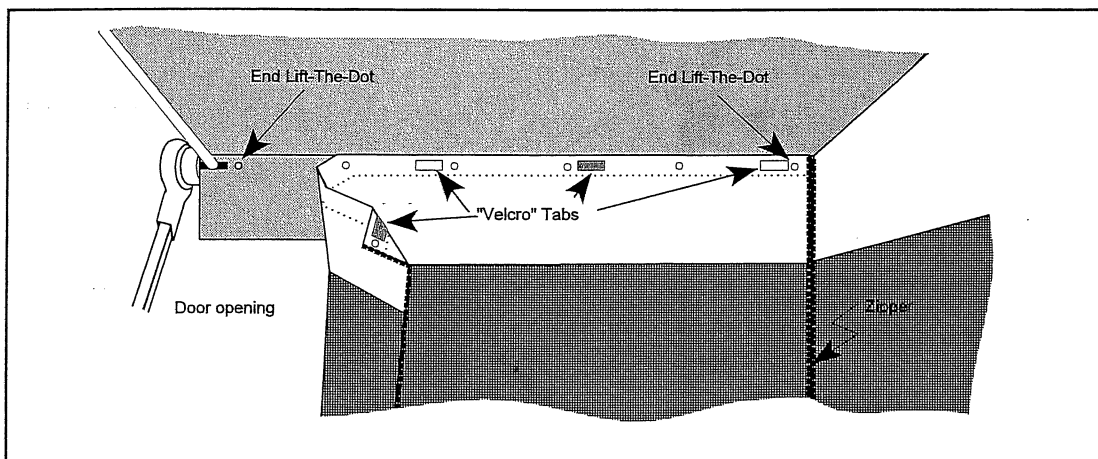


Figure 7

9. Finally, for longer stays and to keep all edges tight against the ground, fill the Aqua Anchors (located in the pockets on all 4 sides of the Tropic Room) with water. For brief stays or calm areas, the weight of the Aqua Anchors themselves usually is enough. Now relax and enjoy yourself while your neighbor is still pounding stakes in the ground to hold his "economy" room in place!