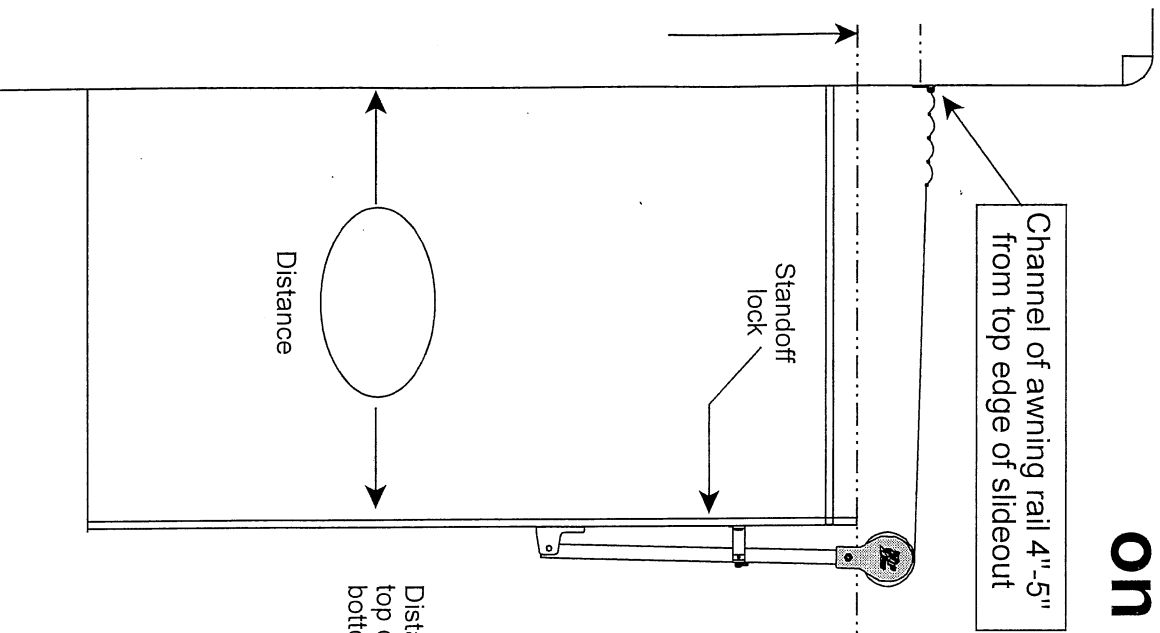
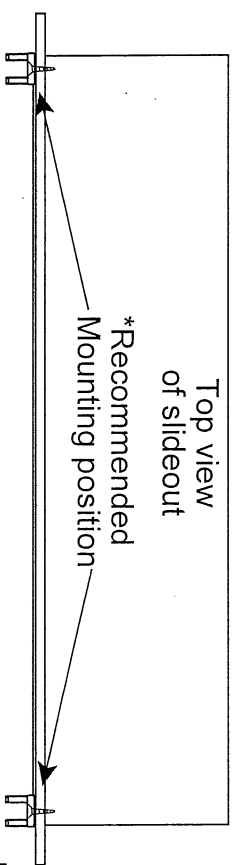
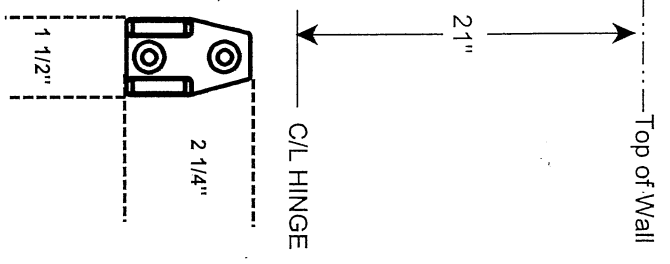
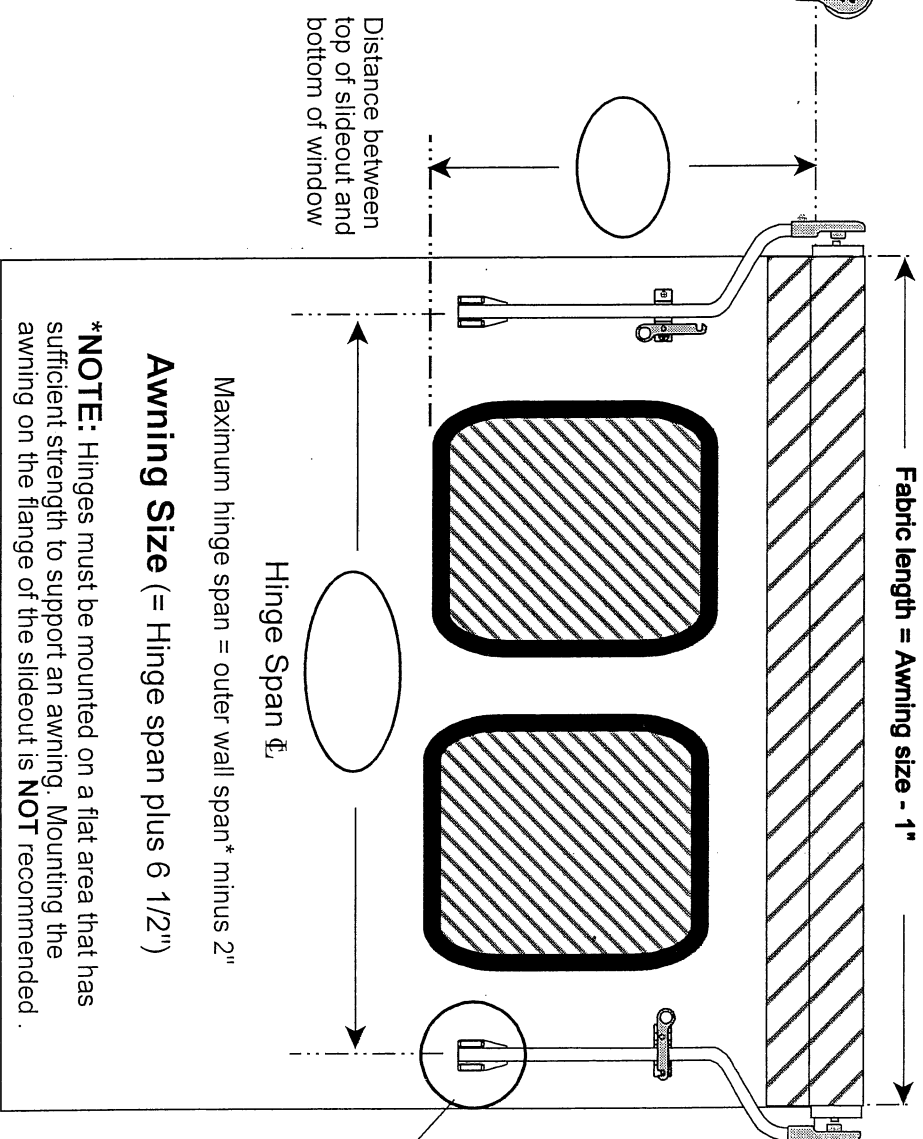


Measuring Instructions for Slideout Awning on Vehicles with Flat sides



Awning Size (= Hinge span plus 6 1/2")



SLIDEOUT ORDERING CHECKLIST

TO INSURE PROPER FIT AND OPERATION, VERIFY AND/OR PROVIDE THE FOLLOWING INFORMATION:

1. Nominal **Awning size** is equal to the distance between the centerline of the Hinges **plus 6½"**. This allows the roller to extend past the wall of the Slideout.
2. Provide the maximum extension distance of the Slideout.
3. Insure that the Awning Rail can be attached to the vehicle above the top edge of the Slideout outer wall to provide drainage. The "C" channel should be 4"-5" above the top edge of the Slideout wall.
4. The top edge of the Slideout outer wall must be smooth to prevent excess wear or damage to the fabric, which lays on the wall when the awning is opened.