

Photo Courtesy of Millennium Luxury Coach Co.

Century

Lateral Arm Awning

INSTALLATION INSTRUCTIONS

Revised January 2013

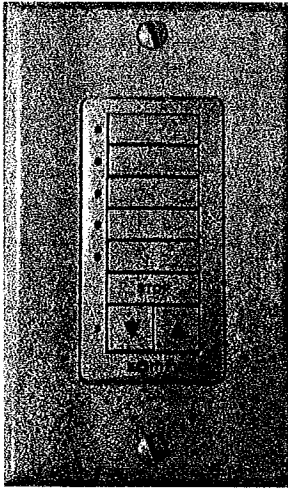
96 Crossen Avenue, Elk Grove Village, IL 60007
Ph: (800) 338-2378 or (847) 437-0980 Fax: (847) 437-7064
www.AwningsByZipDee.com

Contents

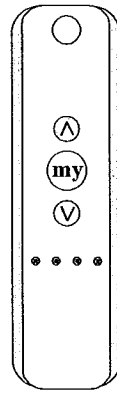
1. Pre-Install check
2. Installation Steps
3. Testing and Controls
4. Adjustments and Repairs Manual
5. Operation - See Owners Manual

Component Identification:

Control components

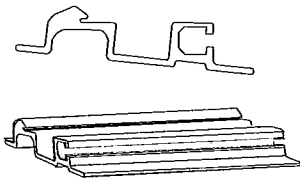


RTS Wall Switch
(1 per set)

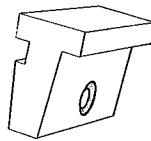


Multi-Channel Remote
(1 per set)

Mounting components



Adapter Plate
(1 per awning arm)



T connector
(2 per awning arm)



Threaded Insert
(2 per awning arm)

Adjustment Components



Emergency crank
(1 per order)

Pre Installation Preparation

1.1 Read these Instructions before Installation

Installation must be performed in accordance with these instructions for any warranty to be effective. Identify awning components provided and determine the location of each. You will have to provide some additional materials for mounting, depending on vehicle design.

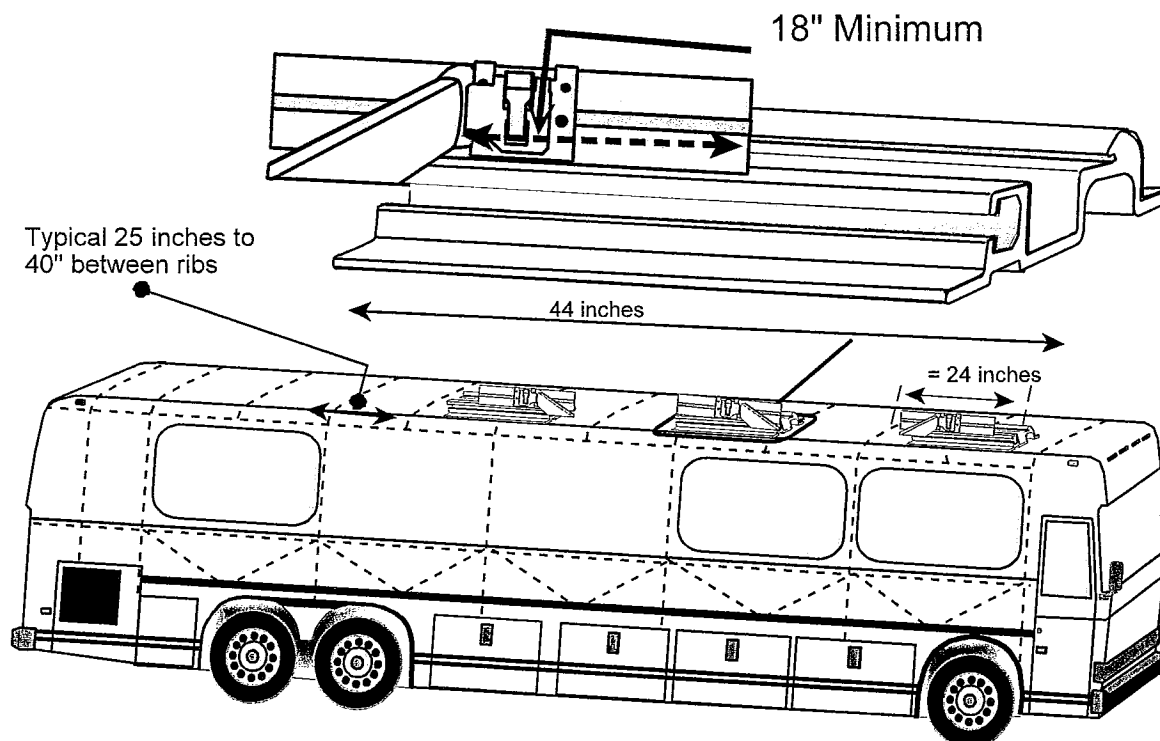
1.2 Supporting Structure

The mounting plates must be positioned on the roof of the vehicle to span two or more ribs no more than 40 inches apart. Check the vehicle structure at those points. Use appropriate mounting fasteners and material that fits the structure to which the awning is being attached.

2.0 Adapter Plate

One 44" Adapter Plate for each arm is provided. Typically, a 5' extension awning has two arms; a 9' 6" extension awning has two or three arms depending on awning length. An Adapter Plate must be installed under each arm. Arm centerlines are identified by arrow decals on the back side of each awning and on the "Arm Centerline" exhibit (see last page attached)

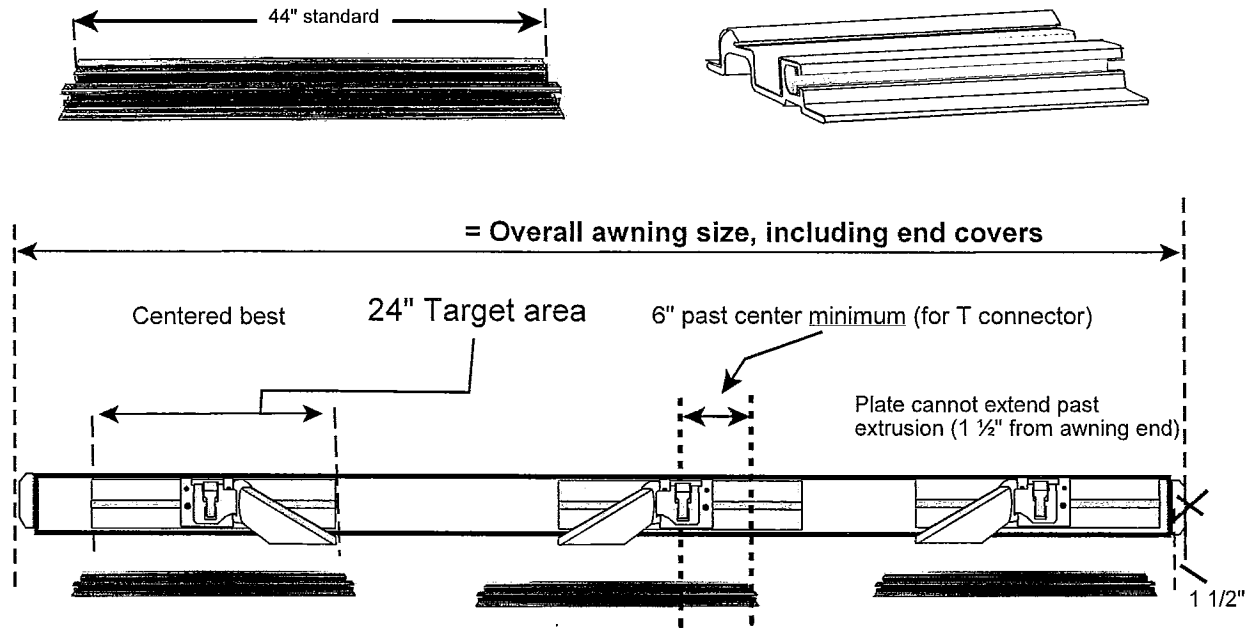
The Adapter mounting plate must be positioned on any pair of ribs so that the arm centerline is over any portion of the Plate, up to the edge, as shown below.



2.1 Adapter Plate Position

Any of the following examples of plate position (all in relation of arm location) is acceptable. The object is to place at least 18" of plate under each "Target" area, which is the centerline of each arm +/- 12". The 6" area past center provides a place for a T connector to attach.

Adapter Mounting Plate Placement - determined by arm location



2.2 Roof Overhang and Plate Position

The awning arms normally require a pitch of 10 - 20 degrees for proper water drainage. So that the lead bar or arms do not strike the roof of the vehicle, a portion of the awning box must extend over the edge of the roof as shown in Fig. 2.2. Also, be aware of possible welds in structure. Normally, any 2 of 3 bolt positions (A, B or C) are sufficient for security.

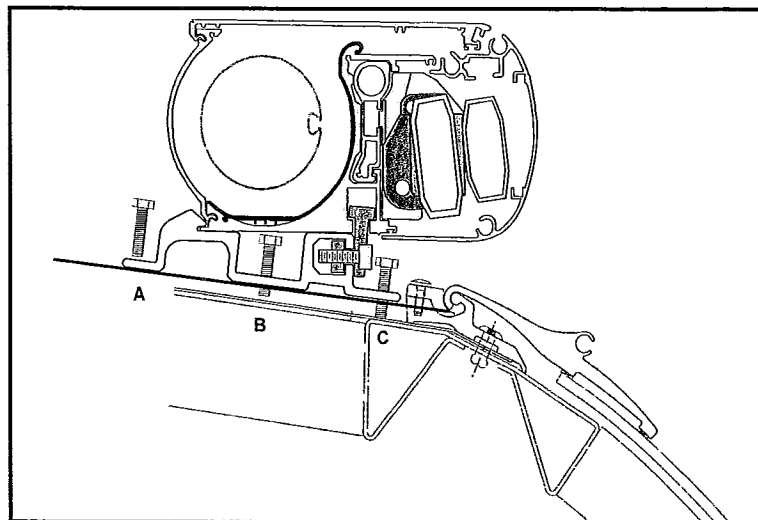


Fig. 2.2 - Prevoxt XLII example

2.3 Installation Sequence

1. Secure Plates to ribs of vehicle. Use vibration proof fasteners appropriate for vehicle structure. Seal mounting holes and around perimeter of Plate.

Suggestion: Force some sealer into drilled mounting holes before inserting fastener and on fastener threads.

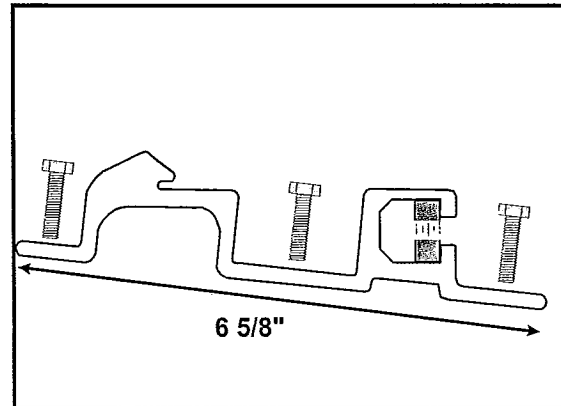


Fig. 2.3 A - Secure onto ribs

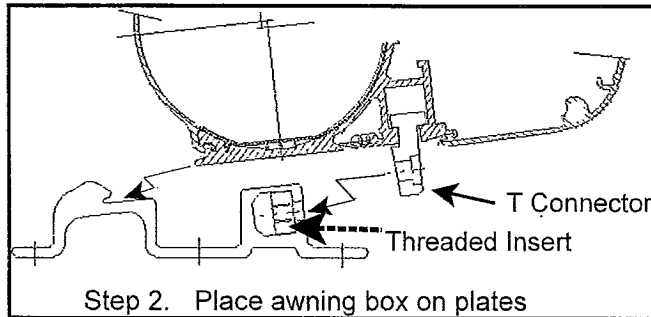


Fig. 2.3 B

2. Place awning box on Plates.

IMPORTANT: Do not lift box by any attachment to ends. Use slings around box or forks under box.

3. Slide Insert into position on either side of arm brackets. Inserts should be no further than 12" from arm centerline. Slide "T" connectors into position to match. Secure with #8 - 1.25 mm x 25 mm socket head screws provided.

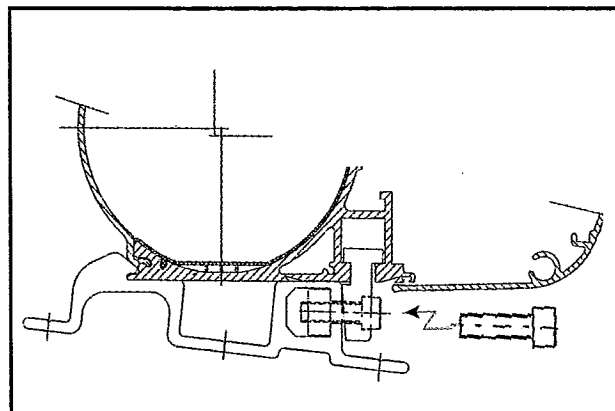


Fig. 2.3 C Secure box to Plate via threaded inserts and "T" connectors.

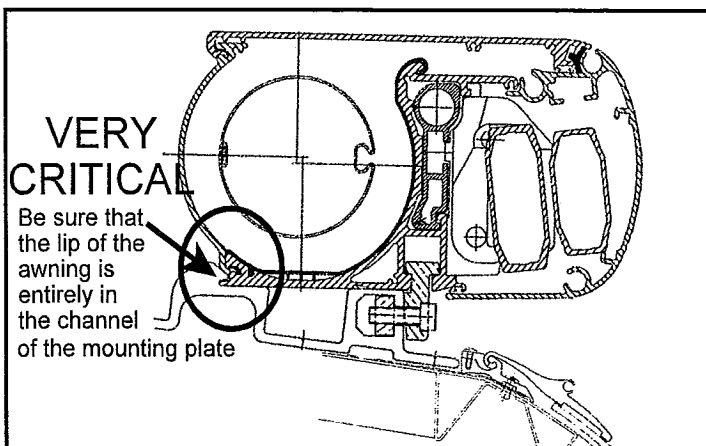


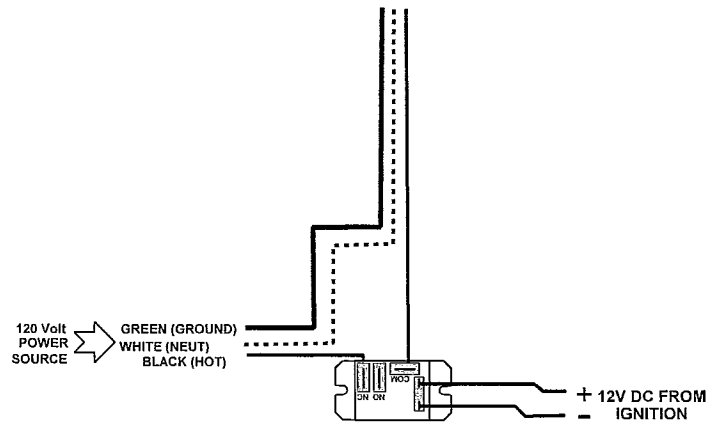
Fig. 2.3 D Tighten all screws

4. Finished mount should look like fig.2.3 D (Prevost XLII example).

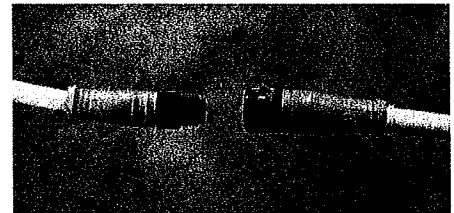
2.6 Electrical Connections

VERY IMPORTANT

The 120v power line being used to power your awning **MUST** have the provided ignition cutoff relay installed per the following diagram

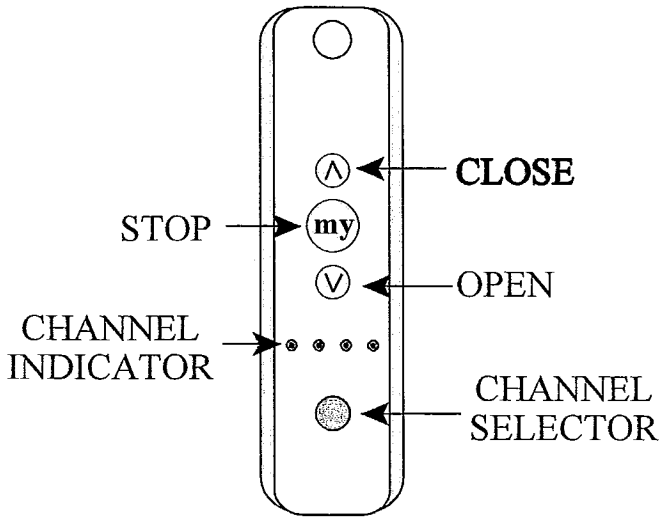


With the RTS motor this awning is designed to be “plug and play”. Plug in the provided power cable to an existing outlet or, cut off the 3 prong plug and splice into the coach’s 120v system. Attach the motor wire to the power cable with the threaded connector and the awning will be functional.



3.0 Testing and Controls

Once power is connected Test each controller to make sure it operates the awnings correctly according to the above diagrams. **DO NOT** press the program buttons.



(Program button located on back side)

