

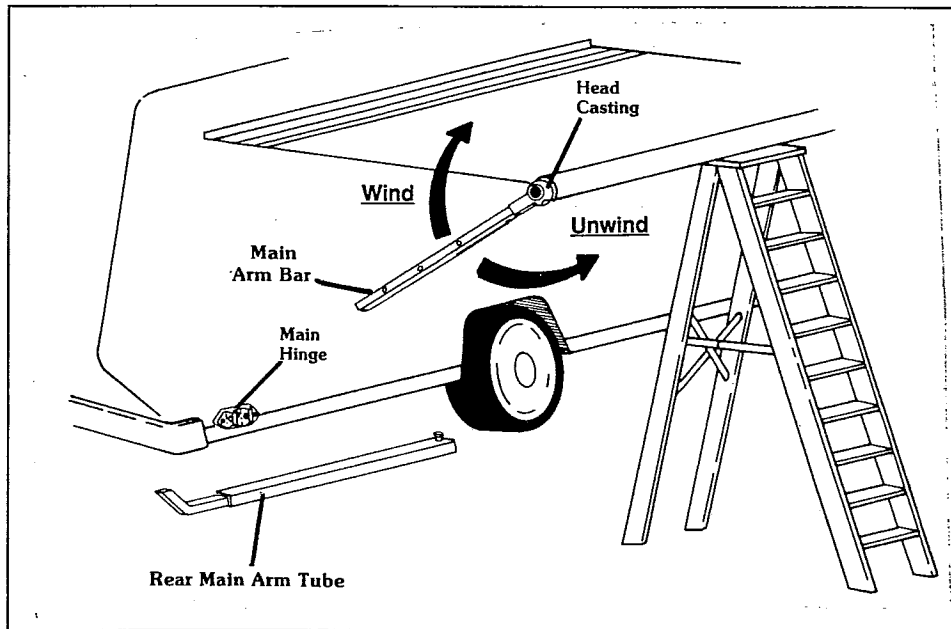
Adjust spring tension so that the awning will not start to roll up until given a rolling start by hand of about 12 inches. This will eliminate the need to lock the awning open.

1. Wind spring clockwise, using main arm bar as a lever, as shown below.

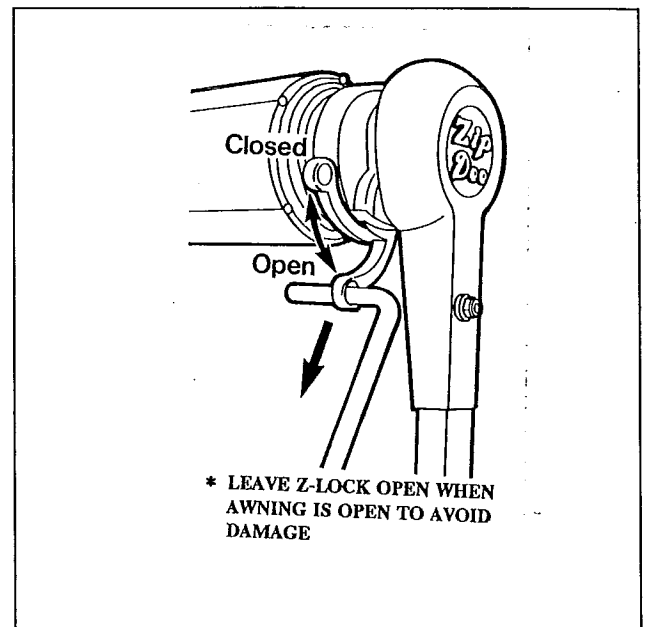
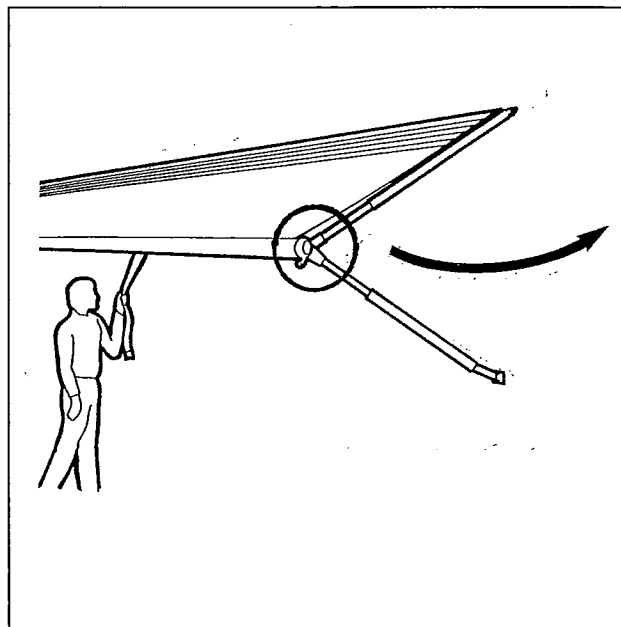
**WARNING: Spring is under tension. Do not disconnect bar from head casting. Always keep control of bar during winding. Releasing the bar or disconnecting head may result in personal injury or damage to vehicle.**

2. Wind the spring **one turn** for every **one foot** of awning length. ex. 20 ft. awning equal 20 turns of spring. (opening awning adds additional 7 turns, so open awning will actually have 27 turns)

3. After winding, reattach main arm tube and re-bolt to hinge casting on vehicle.



LEAVE Z-LOCK LEVER (BOTH ENDS) OPEN WHEN AWNING IS EXTENDED AND OPEN



The internal locking pin of the Z-Lock can be damaged if LOCKED with the awning in the open position. Please **DO NOT** close the Z-Lock lever with the awning open. It is a travel lock only.